

City 60 (right hand drain)

Product code : **CI60R**

Draft revision : **20121026075442**

External dimensions : **60" x 32" x 18,5" [152,4 cm x 81,3 cm x 47,0 cm]**

Series : **Special**

Seats : **1**

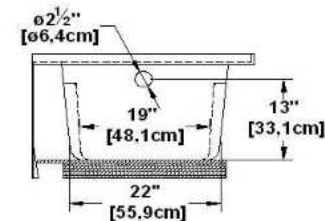
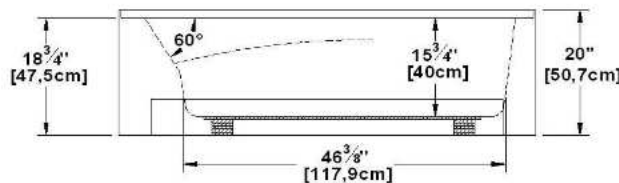
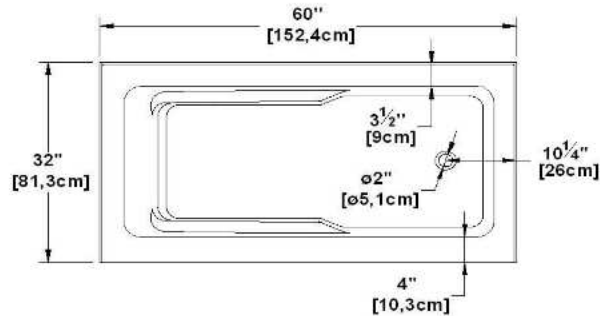
2012 catalog page : **34**

Lumbar support : **yes**

Arm rests : **yes**

Low-profile available : **no**

Draft and specs



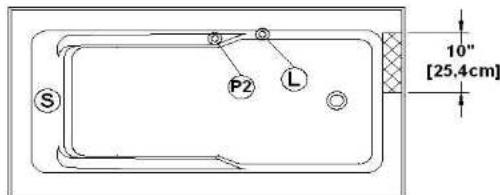
Specifications

Capacity : **33 IMP Gal. / 43,0 US Gal. / 150,0 liters**
 AeroMassage™ : **Easy Clean™ air jets**
 Super AeroMassage™ : **AeroMassage™ + 12 Easy Clean™ air jets**
 Dynamic Turbo™ : **unavailable**
 Comfort Air™ : **Easy Clean™ air jets**
 Characteristics : **Textured floor, integrated front skirt**

Remarks

*all measures have a precision of $\pm 1/4"$ (0,63cm)
 *internal dimensions taken at 4" (10cm) from bath bottom
 *capacity is measured by filling the soaker to 1-1/2" under the overflow
 *textured skirt available on all Freestanding products
 *shelf height is 3/4" on all "low-profile" models

Options and installation



accessories and decorative lines positions are approximative

Additional(s) note(s) :

Integrated acrylic tile flanges. If system, delivered with keypad not installed.

Legend

(S) Blower (L) Chromatherapy light
 (P2) Pump (P2) Grab bar (C) Keypad

Recommended faucets drilling location*

Deck cut-out line - - - - -

Available models

Model	Availability
Soaker alone	✓
Comfort Air™	✓
AeroMassage™	✓
Super AeroMassage™	✓
Dynamic Turbo™ (not available in the U.S.)	
Dynamic Turbo™ + AeroMassage™	
Dynamic Turbo™ + Super AeroMassage™	

Available recommended options

Front skirt :
 Recommended drain : *WOCO14 (chrome finish)*
 tile flanges : *integrated*
 Floating controller : *available*

*It is possible that faucets may be installed elsewhere on the product. Verify, directly on the product, that there are no conflicting parts before drilling.

IMPORTANT NOTE : Specifications, dimensions and models are subject to change.

Visit our website <http://www.oceania-attitude.com> to access up-to-date dimensions and informations. In all cases, information on the website is the most up-to-date. Dimensions may vary slightly. To ensure proper fit, mesurements must be taken on the product directly.

Head office

591, avenue des Entreprises
 Thetford Mines, Quebec
 CANADA G6H 4B2

Phone numbers

No-charge : 1-877-332-4224
 Fax : 1-866-460-4334

Internet

Web : <http://www.oceania-attitude.com>
 Email : info@oceaniabaths.com